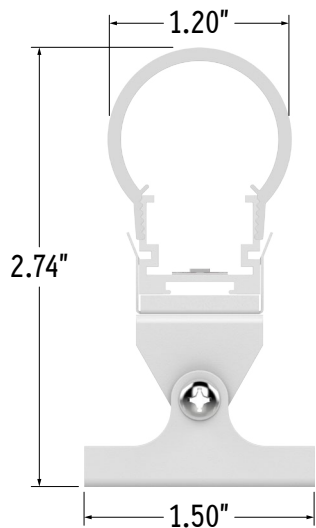


Perspective View



Assembled End View



UNASSEMBLED APPLICATIONS

1. Measure area where luminaire will be installed. Use a laser line to create a reference line along installation area, ensuring consistent alignment of mounting clips. Mark location where each mounting clip will be installed along reference line.

2. Use 1 mounting clip every 2', rounded up.

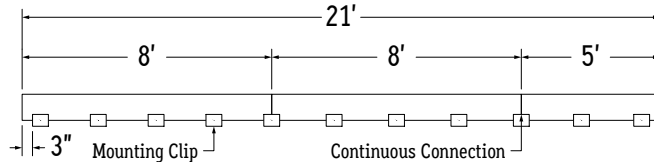
Note: For vertical applications, use a stopper at the bottom to prevent fixture from sliding.

Example 1: Individual run of 8'.



Example 2: Continuous run of 21' (8' + 8' + 5').

Use a mounting clip at the joint between luminaire segments.



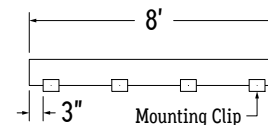
ASSEMBLED APPLICATIONS

1. Measure area where luminaire will be installed. Use a laser line to create a reference line along installation area, ensuring consistent alignment of mounting clips. Mark location where each mounting clip will be installed along reference line.

2. Use 1 mounting clip every 2', rounded up.

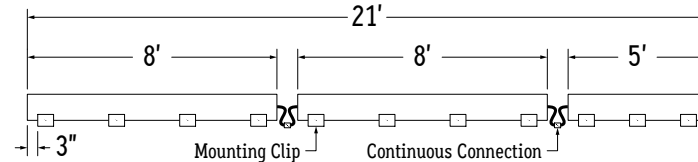
Note: For vertical applications, use a stopper at the bottom to prevent fixture from sliding.

Example 1: Individual run of 8'.



Example 2: Continuous run of 21' (8' + 8' + 5').

Apply the 1 mounting clip per 2' rule to each luminaire segment.



3. Lay mounting clips along reference line and pre-drill using an appropriate drill bit for surface and screw size. **Recommended:** 8/32 x 1" screw.

Note: Allow 0.25" clearance for lateral expansion of assembled mounting clips.

Only install mounting clips on flat, even surfaces.

4. Screw mounting clips to surface, then snap luminaire into mounting clips.

