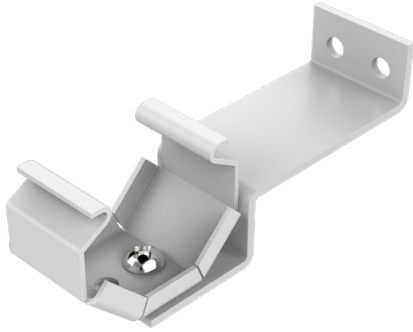
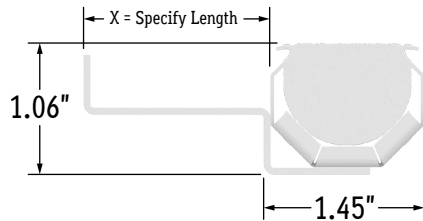


Perspective View



Assembled End View



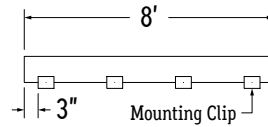
DRY LOCATION

1. Measure area where luminaire will be installed. Use a laser line to create a reference line along installation area, ensuring consistent alignment of mounting clips. Mark location where each mounting clip will be installed along reference line.

2. Use 1 mounting clip every 2', rounded up.

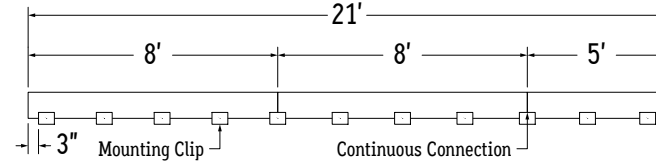
Note: For vertical applications, use a stopper at the bottom to prevent fixture from sliding.

Example 1: Individual run of 8'.



Example 2: Continuous run of 21' (8' + 8' + 5').

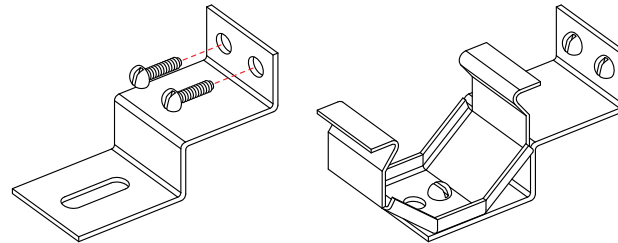
Use a mounting clip at the joint between luminaire segments.



3. Lay mounting clips along reference line and pre-drill using an appropriate drill bit for surface and screw size. **Recommended:** 8/32 x 1" screw.

Note: Allow 0.25" clearance for lateral expansion of assembled mounting clips.
Only install mounting clips on flat, even surfaces.

4. Screw mounting clips to surface, then snap luminaire into mounting clips.



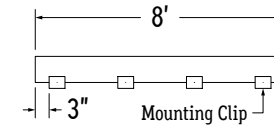
WET LOCATION

1. Measure area where luminaire will be installed. Use a laser line to create a reference line along installation area, ensuring consistent alignment of mounting clips. Mark location where each mounting clip will be installed along reference line.

2. Use 1 mounting clip every 2', rounded up.

Note: For vertical applications, use a stopper at the bottom to prevent fixture from sliding.

Example 1: Individual run of 8'.



Example 2: Continuous run of 21' (8' + 8' + 5').

Apply the 1 mounting clip per 2' rule to each luminaire segment.

